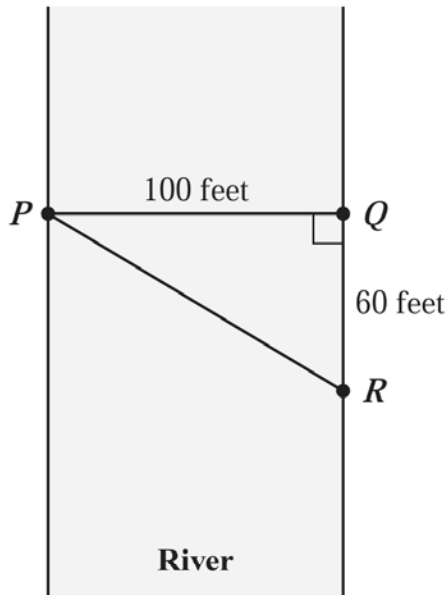


- 1 Triangle PQR in the diagram below represents Pam's trip across a river.

Mark your answer here: 1. (A)(B)(C)(D)



In the diagram, \overline{PQ} represents her planned trip across the river, and \overline{PR} represents her actual trip across the river.

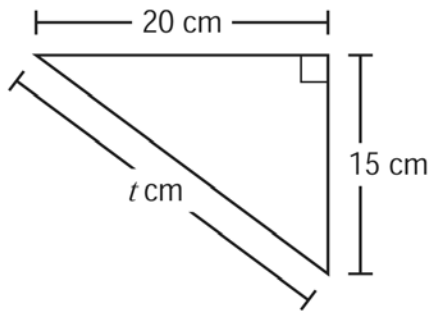
Based on the dimensions in the diagram, which of the following is closest to the length of \overline{PR} ?

- A. 104 feet
- B. 117 feet
- C. 120 feet
- D. 160 feet



- 2 The diagram below shows a triangle and some of its dimensions.

Mark your answer here: 2. (A)(B)(C)(D)

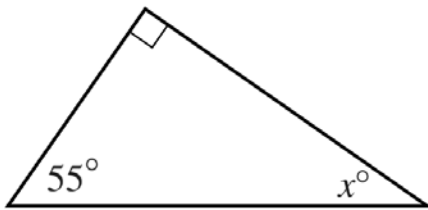


What is the value of t ?

- A. 25
- B. 30
- C. 35
- D. 40

- 3 A right triangle is shown below.

Mark your answer here: 3. (A)(B)(C)(D)



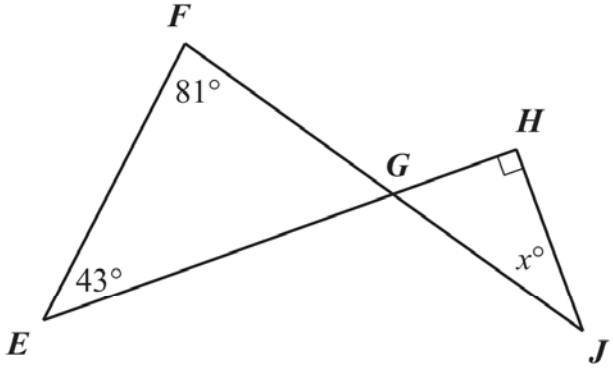
What is the value, in degrees, of x ?

- A. 25
- B. 35
- C. 45
- D. 55



4 In the diagram below, \overline{EH} intersects \overline{FJ} at point G .

Mark your answer here: 4. (A)(B)(C)(D)



Based on the angle measures in the diagram, what is the value of x ?

- A. 34
- B. 38
- C. 43
- D. 56

